

PERI Table Lift PTL 1250

Slab tables quickly moved

PERI table lift PTL 1250, the compact and fast table lifting equipment. The electric drive function and hydraulic lifting gear allow slab tables to be easily moved without any effort.

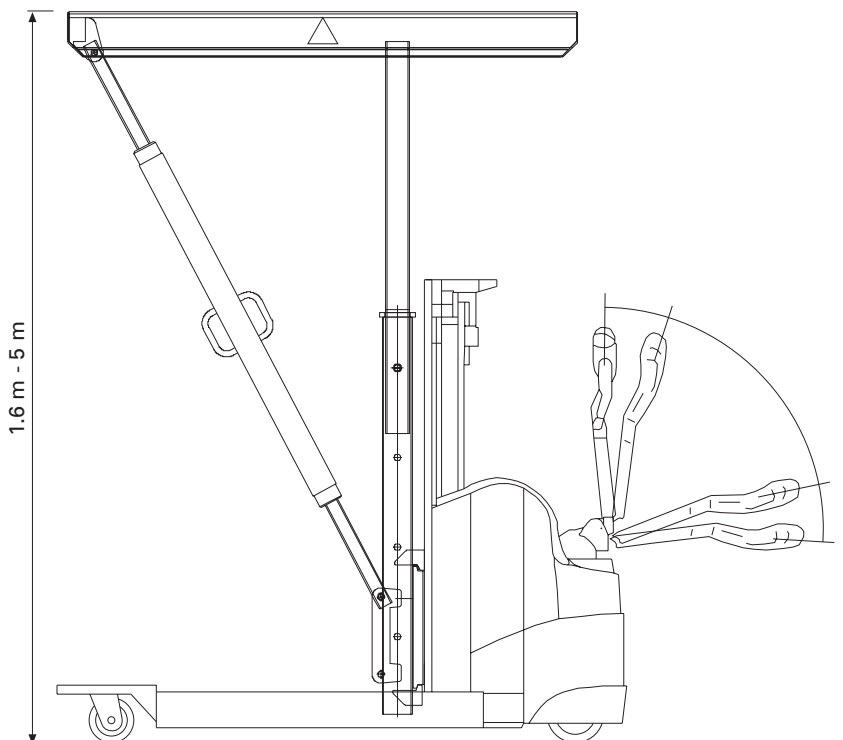
The important advantages of the PERI table lift PTL 1250 are:

- one-man operation feature saves on manpower
- flexible manoeuvring due to the 4-way directional drive
- simple changeover to transversal moving by means of control lever
- safe moving of slab tables by means of lift-dependent speed control
- integrated crane splice for on-site cross transport
- slab tables up to 1,250 kg can be safely moved



Construction height of 1.6 m allows use for underground car parks. Working heights up to 5 m are possible.

The one-man operation makes the PERI table lift especially cost-effective.



Functional design

and optimal ergonomics of the drawbar (arrangement of the push buttons for the signal horn, lift and lowering) allow easy one-handed operations.



Smooth steering procedure
for safe manoeuvring even in tight spaces thanks to the 4-way directional drive with crab steering. The drawbar returns to a vertical braking position after being let go.

Powerful hydraulic construction
with the patented lowering baffle allows the load to be set down gently.

Perfect braking system
with dirt-protected, regulated disc brake feature

Optimised power drive

- smooth start up and acceleration up to maximum speed
- drive and control system take effect immediately when moving onto gradients, no uncontrolled rollback
- after disengaging the drive switch, machine stops due to changeover to counter current

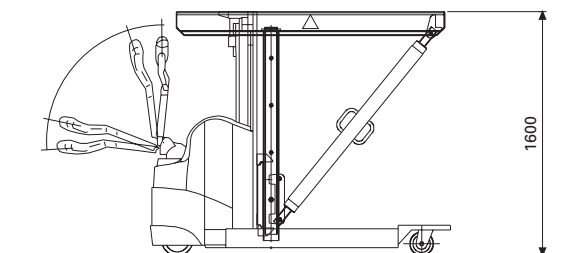
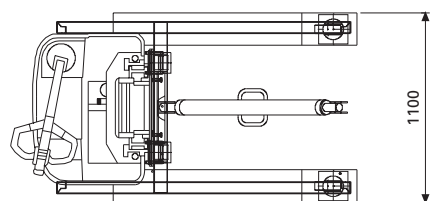


PERI Table Lift PTL 1250
For shuttering, striking and horizontal moving of slab tables.

Weight kg	Item no.
-----------	----------

Table Lift PTL 1250
For moving PERI slab tables. Not allowed for transportation of site personnel. Moving operations on clean, flat and sufficient load-carrying surfaces only. Observe valid safety regulations at all times.

Min. height: 1,6 m
Max. height: 5 m
Load capacity: 1250 kg
Follow operating instructions.



PERI GmbH

P. O. Box 12 64 • 89259 Weissenhorn • Tel.: 0 73 09 / 9 50 - 0 • Fax: 0 73 09 / 9 51 - 0 • info@peri.de • www.peri.de