

## **VARIO-QUATTRO**

The foldable Girder Column Formwork  
for cross-sections up to 120 x 120 cm



# PERI VARIO-QUATTRO

## The foldable GT 24 Girder Column Formwork for cross-sections up to 120 x 120 cm

The VARIO-QUATTRO system can be moved as complete units in one crane lift. All four side elements are connected to each other as hinged sections.

### Column cross-sections

Rectangular or square cross-sections of 20 x 20 cm up to 120 x 120 cm are formed in 5 cm increments.

### Less crane time

VARIO-QUATTRO is moved as a complete unit including push-pull props, concreting platforms and access ladders. This results in valuable time-savings.

### Exceptional concrete surface quality

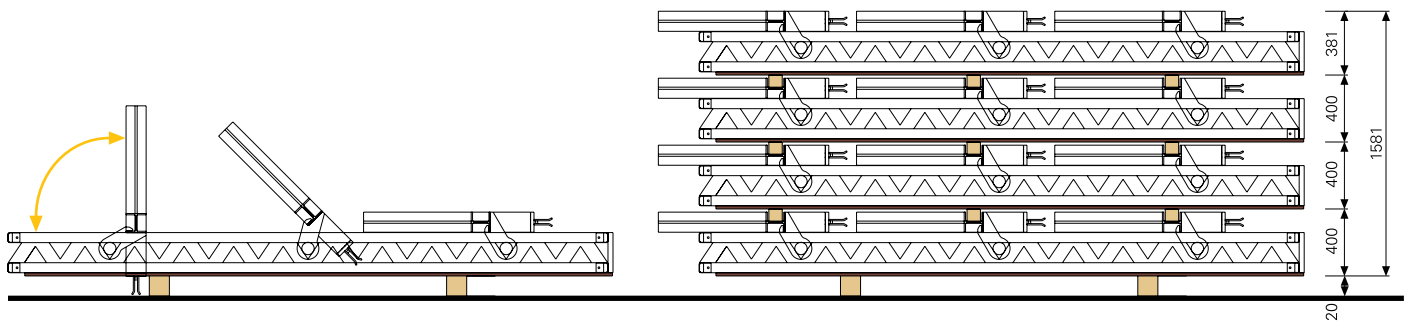
Excellent architectural concrete finishes can be achieved using the proven VARIO GT 24 system together with high quality Fin-Ply 21 mm formlining. Sharp and chamfered edges can be formed.

### Permissible fresh concrete pressure

The VARIO-QUATTRO is designed for a fresh concrete pressure of 100 kN/m<sup>2</sup>. This allows fast concreting to take place.

### Efficient transportation

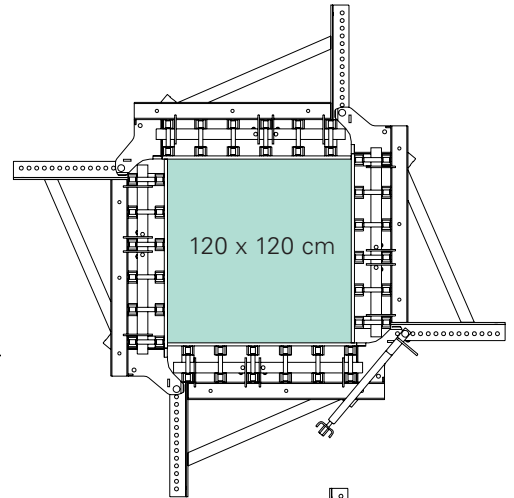
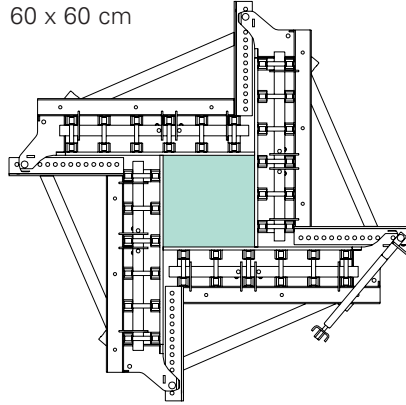
The hinged waler design ensures that the VARIO-QUATTRO units can be efficiently stored and transported – saving space and costs.



**With only two different walers, any cross-section from 20 x 20 cm up to 120 x 120 cm can be formed.**

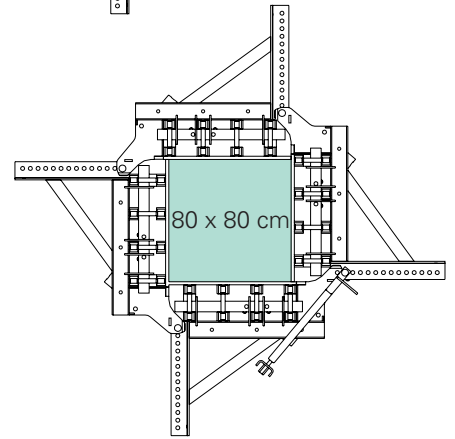
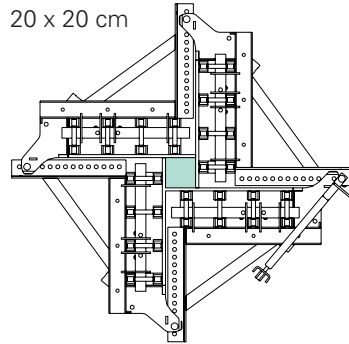
**Waler VQ 60 - 120**  
For column cross-sections from 60 x 60 cm to 120 x 120 cm.

60 x 60 cm



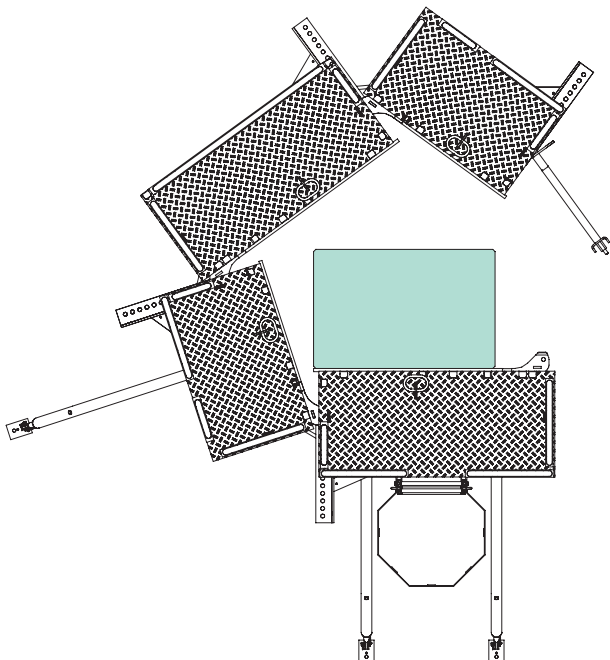
**Waler VQ 20 - 80**  
For column cross-sections from 20 x 20 cm to 80 x 80 cm.

20 x 20 cm

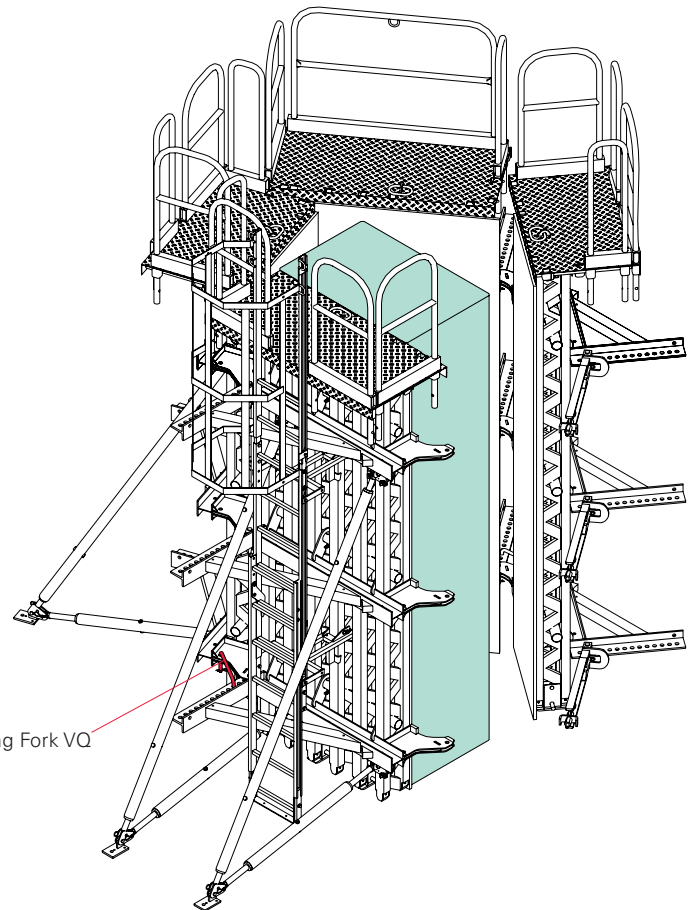


**Fast and simple striking**

The column formwork elements are easily opened by means of the hinged walers. No loose components. This minimizes shuttering and striking times as well as increasing productivity.

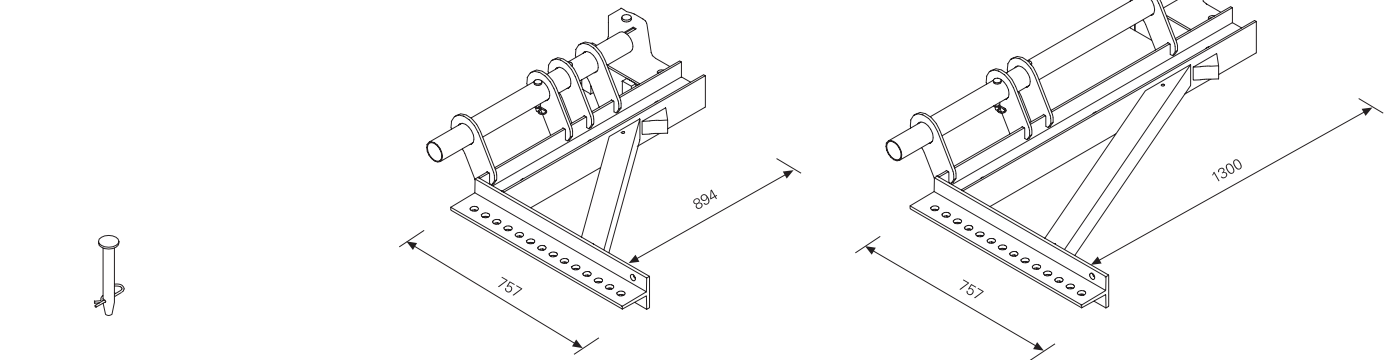


Positioning Fork VQ

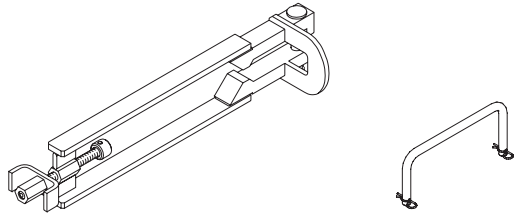


# VARIO-QUATTRO Components

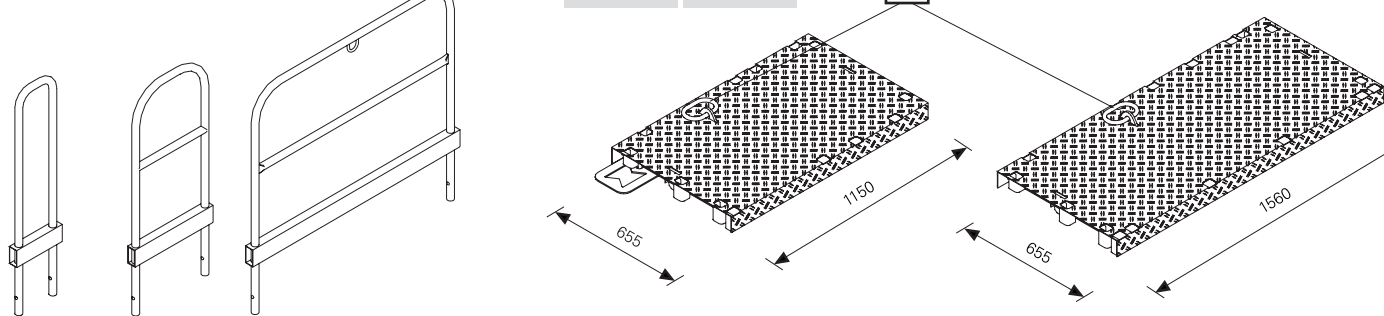
	Weight kg	Item no.
<b>Waler VQ 60 - 120</b>	82,30	107091
<b>Waler VQ 20 - 80</b>	68,00	107092
<b>Pin ø 25 x 200, galv.</b>	0,95	106772
<b>Cotter Pin 4/1, galv.</b>	0,03	018060



<b>Frame Spanner VQ</b>	20,60	106604
<b>Positioning Fork VQ</b>	1,89	107824



<b>Concreting Platform VQ 1.50 m, 60"</b>	87,70	106768
<b>Concreting Platform VQ 1.10 m, 45"</b>	73,70	106769
<b>Platform Guardrail 23, galv.</b>	7,50	107246
<b>Platform Guardrail 52, galv.</b>	10,80	037420
<b>Platform Guardrail 134, galv.</b>	18,40	037430



<b>Ladder 180/6, galv.</b>	7,15	051410
<b>Access Ladder 180/2, galv.</b>	2,36	051460
<b>Ladder Safety Cage 150, galv.</b>	25,20	051450
<b>Ladder Safety Cage 75, galv.</b>	15,50	104132
<b>Ladder Connector VQ, galv.</b>	7,80	106770

